

# LIMIT SWITCH

## Features

- High precision and metal die-casting body.
- Easy to wire connection construction
- High mechanical strength
- Dust-proof construction



## Specifications

Item	Standard
Rating	10A, 125V or 250VAC
Contact Resistance	25mΩ max. (initial)
Insulation Resistance	100MΩ min. (at 500VDC)
Dielectric Strength	1,000VAC, 50/60Hz for 1 minute
Service Life Mechanically	1,000,000 operations min.
Service Life Electrically	100,000 operations min.

## Product Selection

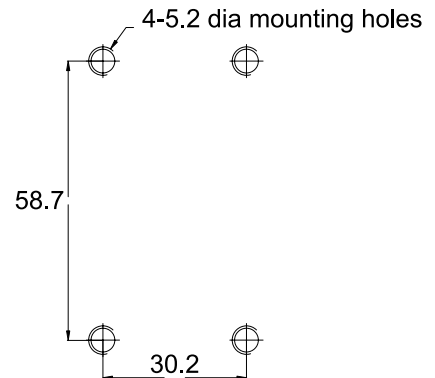
WL□

1

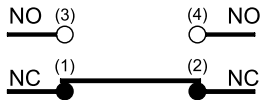
### 1. HEAD AND ACTUATOR

- 5101: Push plunger type
- 5102: Roller plunger type
- 5104: Roller arm type
- 5105: Duple roller arm type
- 5106: Wobble stick type
- 5107: Rod lever type
- 5108: Adjustable roller arm type (standard roller)
- 5109: Push plunger type

## Mounting Hole



## Contact Configuration



**HIGHLY**

C1

Design, specifications are subject to change without notice.

# LIMIT SWITCH

## Operating Characteristics

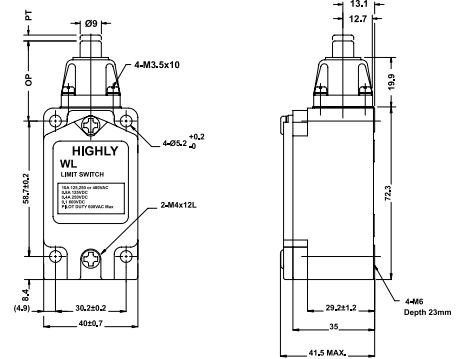
Unit: mm

Item	Operating Characteristics	Dimensions
------	---------------------------	------------

### WL5101



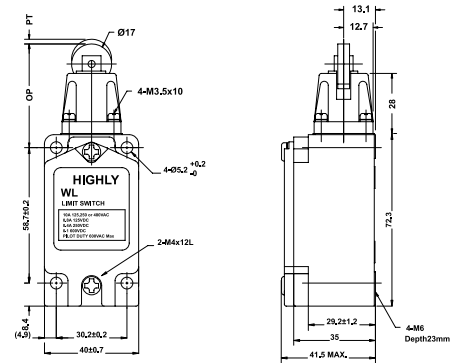
OF max.	2,720g
RF min.	910g
PT max.	1.7 mm
OT min.	6.4 mm
MD max.	1 mm
TF max.	--
TT/OP min.	34 ± 0.8 mm



### WL5102



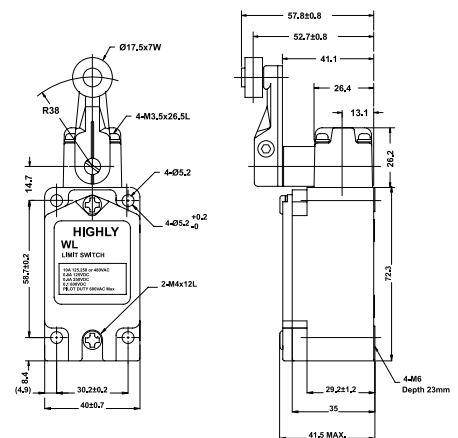
OF max.	2,720g
RF min.	910g
PT max.	1.7 mm
OT min.	5.6 mm
MD max.	1 mm
TF max.	--
TT/OP min.	44 ± 0.8 mm



### WL5104



OF max.	1360g
RF min.	227g
PT max.	20°
OT min.	30°
MD max.	12°
TF max.	2,720g
TT/OP min.	50°



# LIMIT SWITCH

## Operating Characteristics

Unit: mm

Item

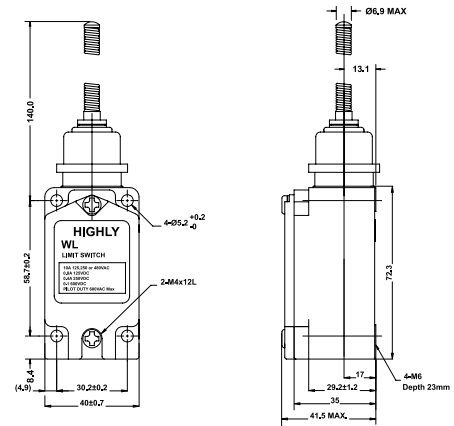
Operating Characteristics

Dimensions

WL5106



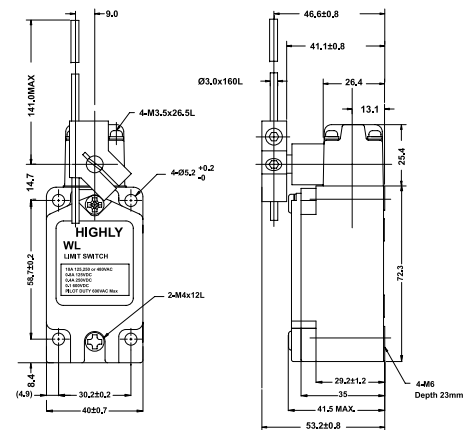
OF max.	150g
RF min.	--
PT max.	28 mm
OT min.	28 mm
MD max.	--
TF max.	--
TT/OP min.	--



WL5107



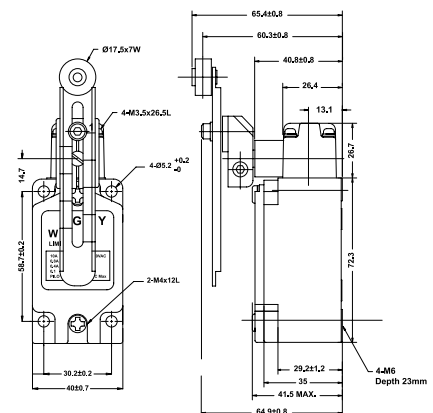
OF max.	1,360g
RF min.	227g
PT max.	22°
OT min.	30°
MD max.	12°
TF max.	2,720g
TT/OP min.	50° *



WL5108



OF max.	1360g
RF min.	227g
PT max.	20°
OT min.	30°
MD max.	12°
TF max.	2720g
TT/OP min.	50°



# LIMIT SWITCH

## Operating Characteristics

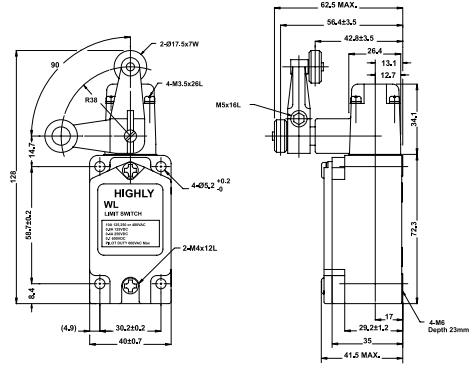
Unit: mm

Item	Operating Characteristics	Dimensions
------	---------------------------	------------

### WL5105



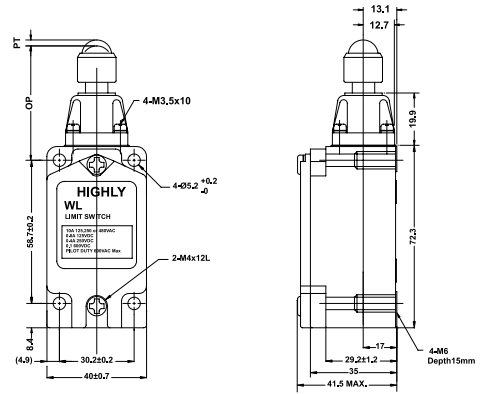
<b>OF max.</b>	1,200g
<b>RF min.</b>	--
<b>PT max.</b>	50° ± 5°
<b>OT min.</b>	35°
<b>MD max.</b>	--
<b>TF max.</b>	--
<b>TT/OP min.</b>	90° ± 10°



### WL5109



<b>OF max.</b>	2,720g
<b>RF min.</b>	910g
<b>PT max.</b>	1.7 mm
<b>OT min.</b>	6.4 mm
<b>MD max.</b>	1 mm
<b>TF max.</b>	--
<b>TT/OP min.</b>	44 ± 0.8 mm



## Overtravel type

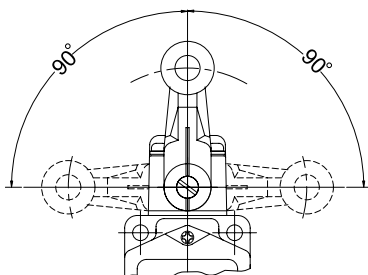
The overtravel type is a limit switch which is provided with a greater OT to facilitate dog setting. Since this type is identical to the Basic Type in dimensions, both types are interchangeable.

### -2 Series

The head of -2 series switch can be installed in any of the four directions.

90° operation on only one side - impossible

90° operation on either side - possible



Operating Characteristics	Type	WL 5104-2	WL 5108-2	WL 5107-2
	<b>OF (max.)</b>		900gf	900gf
<b>RF (min.)</b>		50gf	50gf	97gf
<b>PT (max.)</b>		30°	30°	30°
<b>OT (min.)</b>		60°	60°	60°
<b>MD (max.)</b>		16°	16°	16°

**HIGHLY**

C4

Design, specifications are subject to change without notice.