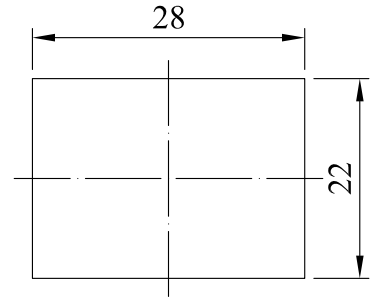
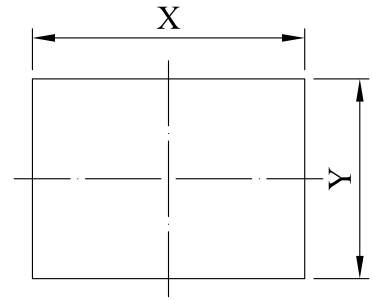


# TR26-2 SERIES

## Panel Cut-Out Dimensions



( BASS A .B )



( BASS C .D )



Contact Rating: 16A 125VAC 1/4HP (UL-105°C)

16A 250VAC 1/4HP

16A (4) 250V~T120

Initial Contact Resistance: 30mΩ Max

Insulation Resistance: 500MΩ Min. 500VDC

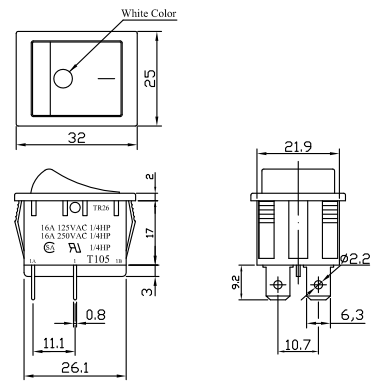
Withstand Voltage: 2000VAC-1 Minute

Electrical Life: Over 10000 Cycles

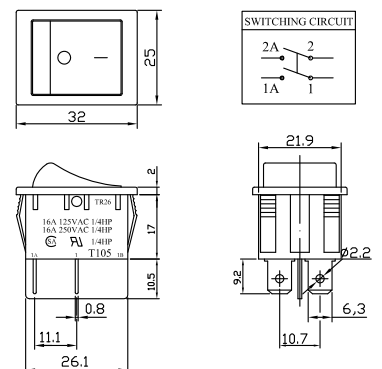
Operating Force: 700± 200gf

Panel Thickness	DimX	DimY
0.7~1.25	29.9~30	22~22.1
1.25~2.0	30.1~30.2	22~22.1
2.0~3.0	30.4~30.5	22~22.1

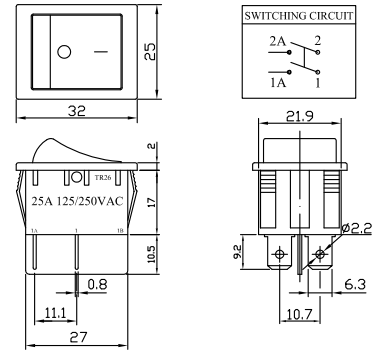
### TR26-21C-11A1



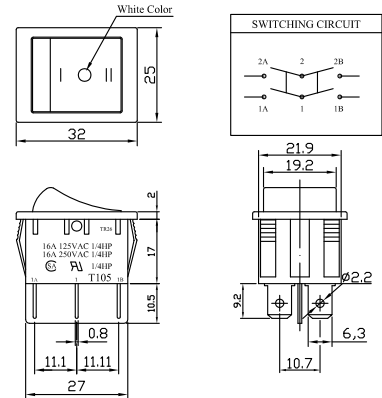
### TR26-21J-17B1



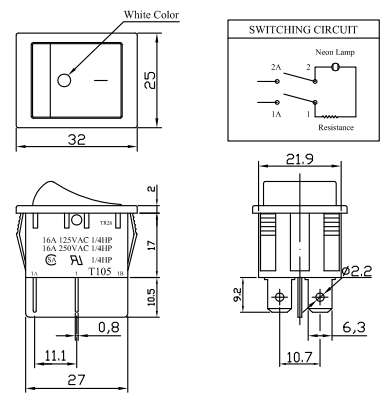
TR26-21C-11D1



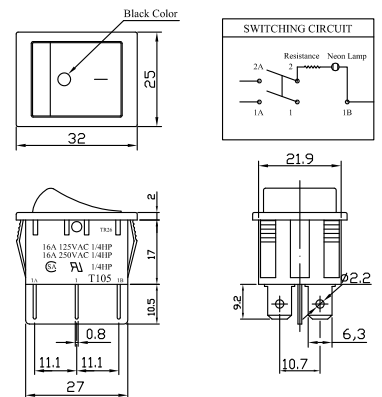
TR26-23F-11D1



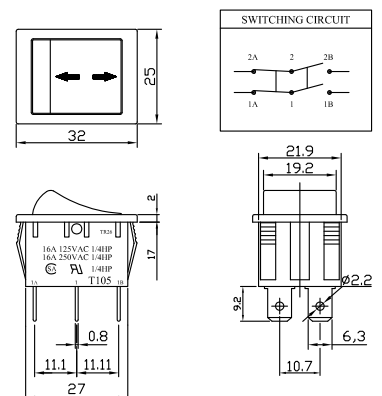
TR26-21C-23D1L



TR26-2-210J-27D1L



TR26-22Z-13C1



# CAP-B

