

» Features

- Miniature structure with long traveling.
- Several LED colors options.
- Customized cap and symbols are available.
- Combination of switch linked with LED avoid the LED failure during high-temperature processing.
- Water proof IP67 sealed.



» Applications

- Operating switches in all types of electronic equipment such as audio apparatus, office equipment, communications apparatus, TV sets, VCRs, etc.

» Specifications

Rating	50mA 12VDC
Insulation Resistance	100MΩ Min (at 250 VDC)
Dielectric Strength	AC 250V (50/60 Hz for 1 minute)
Contact Contact	100mΩ Max. (Initial)
Electrically Life	100,000 Cycles Min
Ambient Temperature	-25°C~ +80°C
Operating Force	200 ± 30gf
Total Travel	0.7 ± 0.2mm

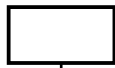
» LED Specifications

Color	VR	IF	Recommended Operating Current	VF	
				Nor	Max
Red	DC 5V	20mA	20mA	1.7V	2.4V
Green	DC 5V	20mA	20mA	1.9V	2.4V
Yellow	DC 5V	20mA	20mA	1.9V	2.4V
Blue	DC 5V	20mA	20mA	3.0V	3.6V
White	DC 5V	20mA	20mA	3.0V	3.6V

For the specification about the other LEDs, please contact with sales department

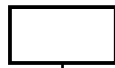
» Product selection

TP 618



L

-



TERMINAL	
_	Standard Type
M	SMT Type
MJ	SMT Type
R	Right Angle
RM	Right Angle SMT

LED COLOR1	
1	Red
2	Yellow
3	Green
4	Blue
5	White
6	Pure Green
7	RGB
8	Amber

LED COLOR2	
1	Red
2	Yellow
3	Green
4	Blue
5	White
6	Pure Green
8	Amber
-	was blank a single

TP 618 SERIES TACT SWITCHES

ILLUMINATED

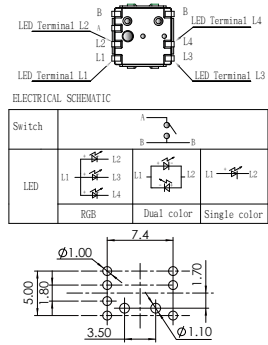
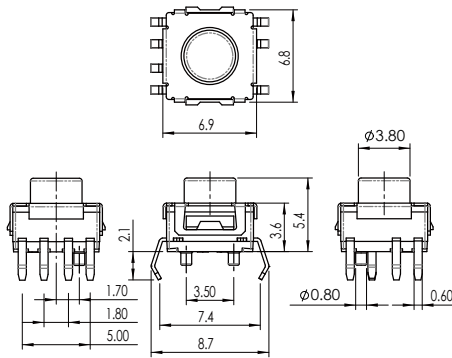
» Operating characteristics

Unit: mm

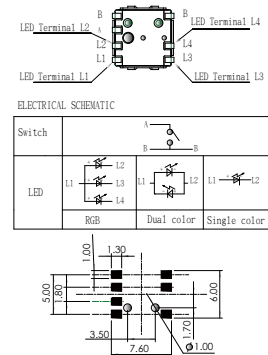
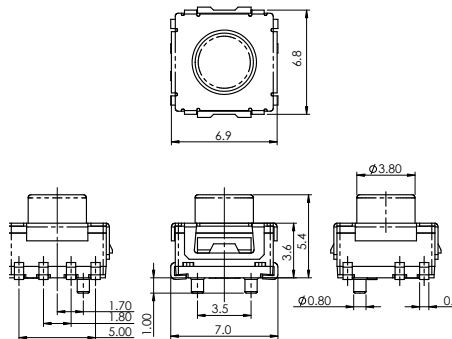
Dimensions

P.C.B Layout

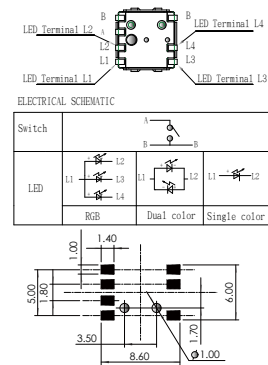
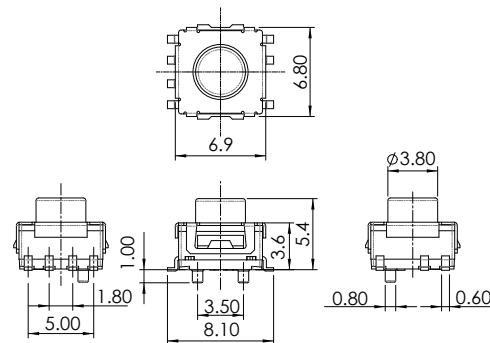
TP618L



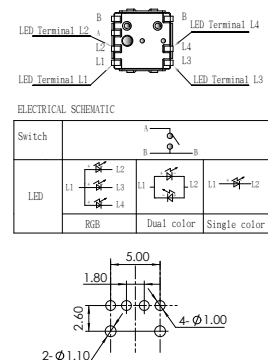
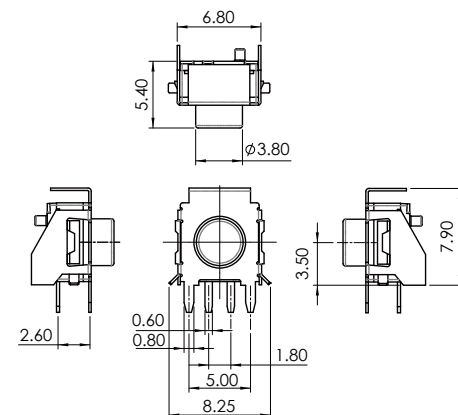
TP618ML



TP618MJL



TP618RL



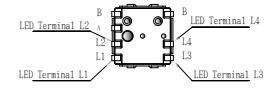
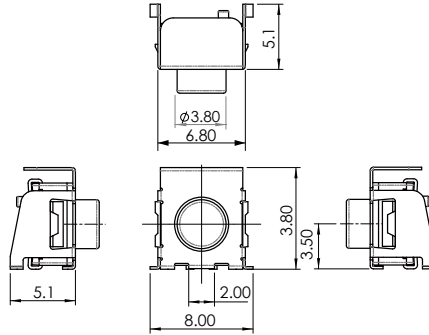
» Operating characteristics

Unit: mm

Dimensions

P.C.B Layout

TP618RML



ELECTRICAL SCHEMATIC

