

» Features

- Snap-in type, can be mounted directly on P.C.B board.
- Several LED colors options.
- Side-actuated with right angle terminal.
- Adequate for SMT.



» Applications

- Operating switches in all types of electronic equipment such as audio apparatus, office equipment, communications apparatus, TV sets, VCRs, etc.

» Specifications

Rating	50mA 12VDC
Insulation Resistance	100MΩ Min (at 500 VDC)
Dielectric Strength	AC 250V (50/60 Hz for 1 minute)
Contact Resistance	100mΩ Max. (Initial)
Electrically Life	100,000 Cycles Min
Ambient Temperature	-25°C~ +70°C
Operating Force	220 ± 50gf
Total Travel	0.25 ± 0.1mm

» LED Specifications

Color	VR	IF	Recommended Operating Current	VF	
				Nor	Max
Red	DC 5V	20mA	20mA	1.7V	2.4V
Green	DC 5V	20mA	20mA	1.9V	2.4V
Yellow	DC 5V	20mA	20mA	1.9V	2.4V
Blue	DC 5V	20mA	20mA	3.0V	3.6V
White	DC 5V	20mA	20mA	3.0V	3.6V

For the specification about the other LEDs, please contact with sales department

» Product selection

TP 615 **TR** - -

BUTTON FUNCTION	
2	Without hook
3	With hook

FROM PCB TP CENTRAL TOP	
-	3.5mm
H5	4.0mm(Non SMT TYPE)
H10	4.5mm(Non SMT TYPE)
H55	9.0mm(Non SMT TYPE)

COLOR1	COLOR2
LED COLOR	
1	Red
2	Yellow
3	Green
4	Blue
5	White
6	Pure Green
8	Amber
9	Blue Green
-	Non-illuminated

TERMINAL LENGTH (DIP TYPE)	
15	1.5mm
17	1.7mm
21	2.1mm

FUNCTION	
Non-LED	
-	Standard type
M	SMT type
LED	
L	Standard type
ML	SMT type

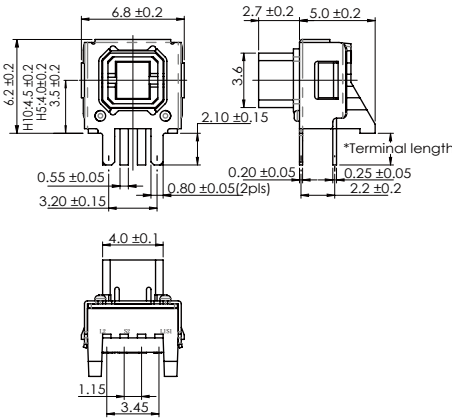
» Operating characteristics

Unit: mm

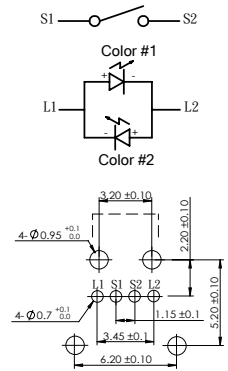
Dimensions

P.C.B Layout

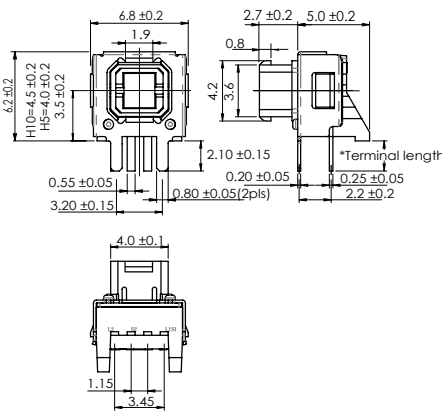
TP6152TRL
TP6152TRL-H5
TP6152TRL-H10



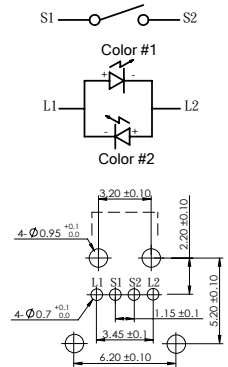
ELECTRICAL SCHEMATIC



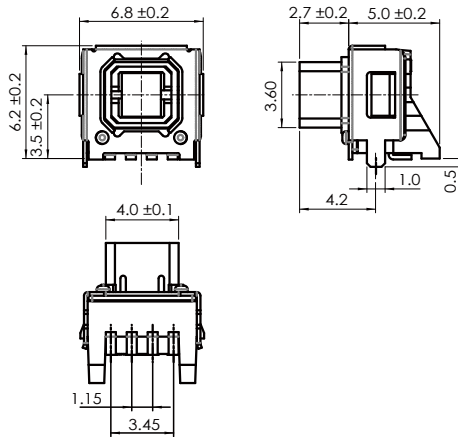
TP6153TRL
TP6153TRL-H5
TP6153TRL-H10



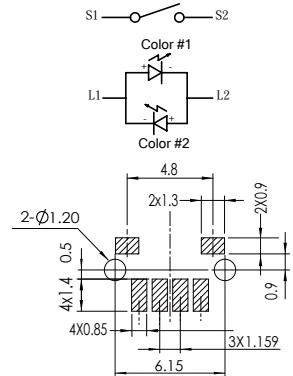
ELECTRICAL SCHEMATIC



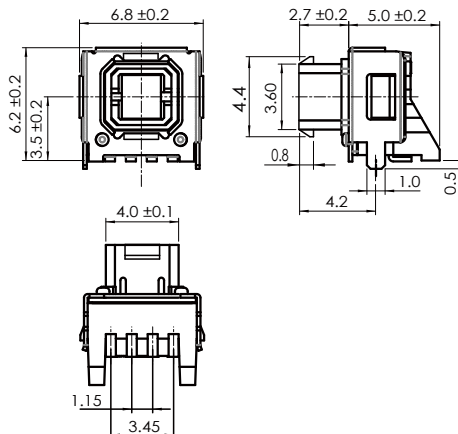
TP6152TRML



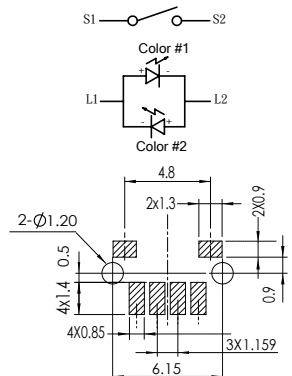
ELECTRICAL SCHEMATIC



TP6153TRML



ELECTRICAL SCHEMATIC



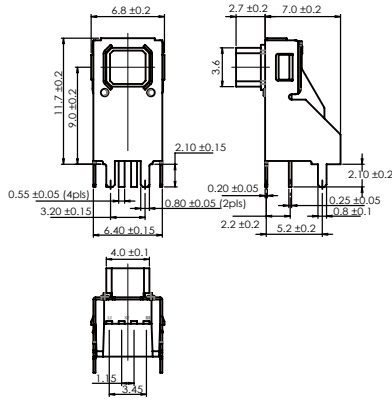
» **Operating characteristics**

Unit: mm

Dimensions

P.C.B Layout

TP6152TRL-H55



ELECTRICAL SCHEMATIC

