

### » Features

- Snap-in type, can be mounted directly on P.C.B board.
- Several LED colors options.
- Adequate for DIP & SMT.
- Several LED colors or bi-color or RGB color options.

### » Applications

- Operating switches in all types of electronic equipment such as audio apparatus, office equipment , communications apparatus, TV sets, VCRs, etc.



### » Specifications

|                       |                                 |
|-----------------------|---------------------------------|
| Rating                | 50mA 12VDC                      |
| Insulation Resistance | 100MΩ Min (at 500 VDC)          |
| Dielectric Strength   | AC 250V (50/60 Hz for 1 minute) |
| Contact Resistance    | 100mΩ Max. (Initial)            |
| Electrically Life     | 300,000 Cycles Min              |
| Ambient Temperature   | -25°C~ +70°C                    |
| Operating Force       | 160 ± 50gf                      |

### » LED Specifications

| Color  | VR    | IF   | Recommended Operating Current | VF   |      |
|--------|-------|------|-------------------------------|------|------|
|        |       |      |                               | Nor  | Max  |
| Red    | DC 5V | 20mA | 20mA                          | 1.7V | 2.4V |
| Green  | DC 5V | 20mA | 20mA                          | 1.9V | 2.4V |
| Yellow | DC 5V | 20mA | 20mA                          | 1.9V | 2.4V |
| Blue   | DC 5V | 20mA | 20mA                          | 3.0V | 3.6V |
| White  | DC 5V | 20mA | 20mA                          | 3.0V | 3.6V |

For the specification about the other LEDs, please contact with sales department

### » Product selection

#### TP 6151



-



| FUNCTION       |                         |
|----------------|-------------------------|
| <b>Non-LED</b> |                         |
| -              | Standard Type (2P)      |
| H              | Standard Type (4P)      |
| M              | SMT Type (2P)           |
| HM             | SMT Type (4P)           |
| R              | Right Angle             |
| RS             | Right Angle (+Fix)      |
| TRF            | Trfl Right Angle (+Fix) |
| <b>LED</b>     |                         |
| L              | Standard Type (2P)      |
| HL             | Standard Type (4P)      |
| TML            | SMT Type (2P)           |
| THML           | SMT Type (4P)           |
| RL             | Right Angle             |
| RSL            | Right Angle (+Fix)      |
| TRFL           | Trfl Right Angle (+Fix) |

| LED COLOR |              |
|-----------|--------------|
| 1         | Red          |
| 2         | Yellow       |
| 3         | Green        |
| 4         | Blue         |
| 5         | White        |
| 6         | Pure Green   |
| 8         | Amber        |
| 9         | Blue Green   |
| 10        | Pink         |
| 011       | Purple       |
| 12        | Red/Yellow   |
| 13        | Red/Green    |
| 14        | Red/Blue     |
| 23        | Yellow/Green |
| 48        | Blue/Amber   |
| 52        | White/Yellow |
| 58        | White/Amber  |
| -         | Non-LED      |

# TP 6151 SERIES TACT SWITCHES

# ILLUMINATED

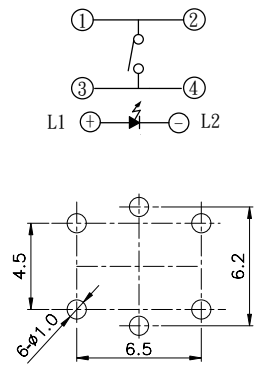
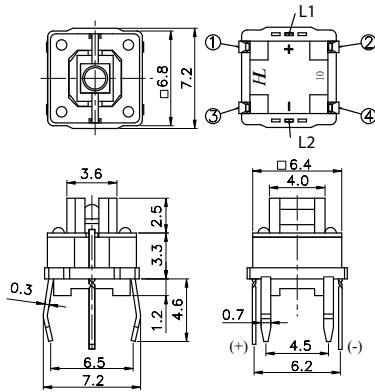
## » Operating characteristics

Unit: mm

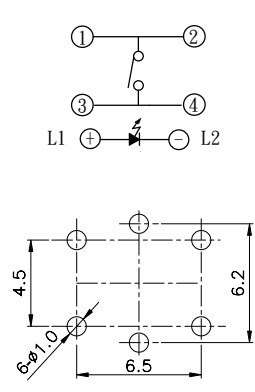
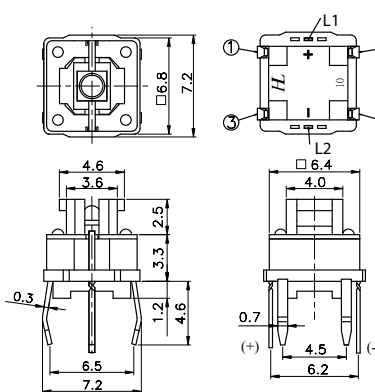
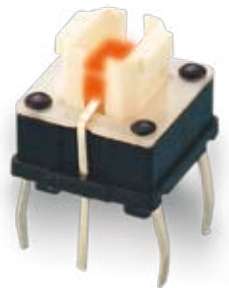
### Dimensions

### P.C.B Layout

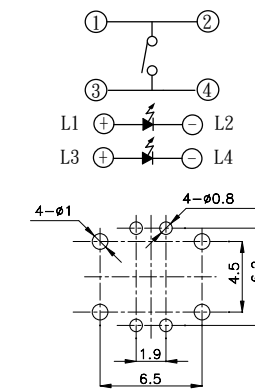
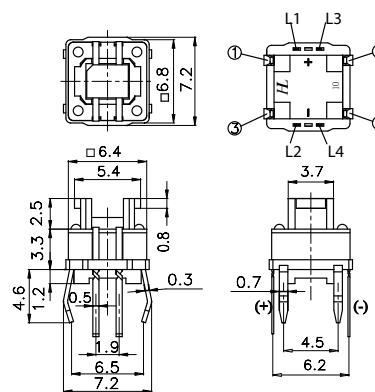
#### TP615L



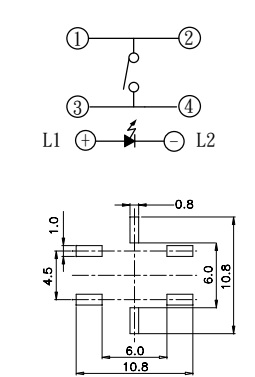
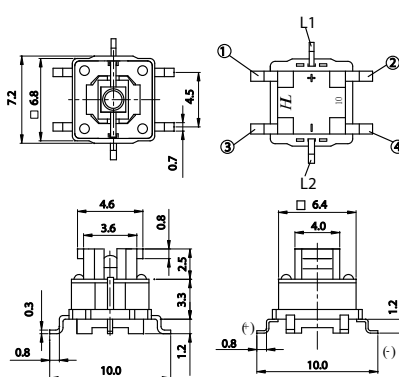
#### TP6151L



#### TP6151HL



#### TP6151TML



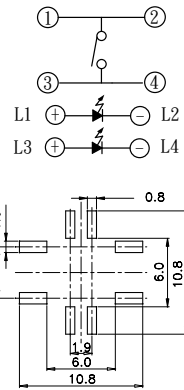
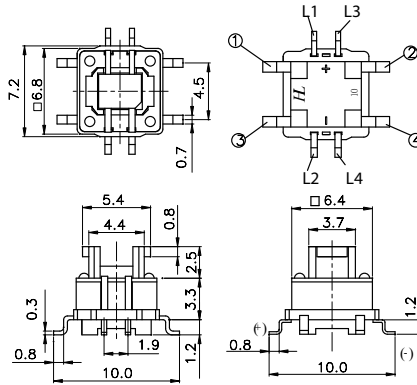
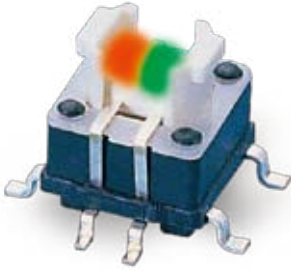
## » Operating characteristics

Unit: mm

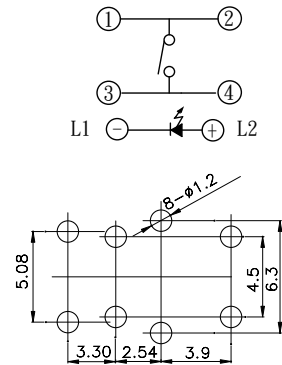
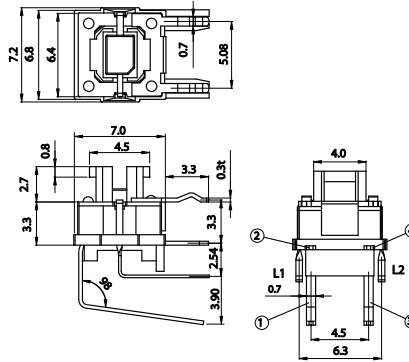
### Dimensions

### P.C.B Layout

#### TP6151THML



#### TP6151RSL



#### TP6151TRFL

