

» Features

- Adequate for P.C.B clipboard type series.
- Several LED colors options.
- Compatible holder is available.



» Applications

- Operating switches in all types of electronic equipment such as audio apparatus, office equipment, communications apparatus, TV sets, VCRs, etc.

» Specifications

Rating	50mA 12VDC
Insulation Resistance	100MΩ Min (at 500 VDC)
Dielectric Strength	AC 250V (50/60 Hz for 1 minute)
Contact Resistance	30mΩ Max. (Initial)
Electrically Life	300,000 Cycles Min
Ambient Temperature	-25°C~ +70°C
Operating Force	160 ± 50gf
Total Travel	0.25 ± 0.10mm

» LED Specifications

Color	VR	IF	Recommended Operating Current	VF	
				Nor	Max
Red	DC 5V	20mA	20mA	1.7V	2.4V
Green	DC 5V	20mA	20mA	1.9V	2.4V
Yellow	DC 5V	20mA	20mA	1.9V	2.4V
Blue	DC 5V	20mA	20mA	3.0V	3.6V
White	DC 5V	20mA	20mA	3.0V	3.6V

For the specification about the other LEDs, please contact with sales department

» Product selection

TP 6147T

FUNCTION		LED COLOR	
Non-LED		1	Red
-	Standard type	2	Yellow
X	Holder	3	Green
LED		4	Blue
L	Standard type	5	White
XL	Holder	6	Pure Green
		8	Amber
		9	Blue Green
		10	Pink
		011	Purple
		12	Red/Yellow
		13	Red/Green
		14	Red/Blue
		23	Yellow/Green
		48	Blue/Amber
		52	White/Yellow
		58	White/Amber
		-	Non-illuminated

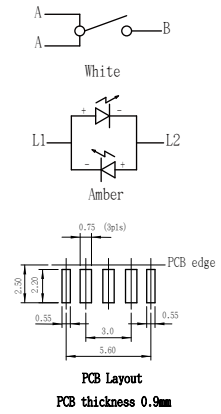
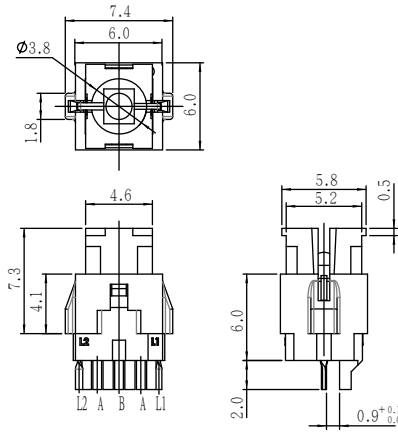
» Operating characteristics

Unit: mm

Dimensions

P.C.B Layout

TP6147T
TP6147TL



TP6147X
TP6147TXL

