

» Features

- Sharp "click" feeling with positive reliability feedback.
- Precise design terminal type adequate for DIP IC pitch size (multiple of 2.54mm).
- Several LED colors options.
- Adequate for DIP & SMT.



» Applications

- Operating switches in all types of electronic equipment such as audio apparatus, office equipment, communications apparatus, TV sets, VCRs, etc.

» Specifications

Rating	50mA 12VDC
Insulation Resistance	100MΩ Min (at 500 VDC)
Dielectric Strength	AC 250V (50/60 Hz for 1 minute)
Contact Resistance	100mΩ Max. (Initial)
Electrically Life	300,000 Cycles Min
Ambient Temperature	-20°C ~ +70°C
Operating Force	160 ± 50gf
Travel	0.25 ± 0.1 mm

» LED Specifications

Color	VR	IF	Recommended Operating Current	VF	
				Nor	Max
Red	DC 5V	20mA	20mA	1.7V	2.4V
Green	DC 5V	20mA	20mA	1.9V	2.4V
Yellow	DC 5V	20mA	20mA	1.9V	2.4V
Blue	DC 5V	20mA	20mA	3.0V	3.6V
White	DC 5V	20mA	20mA	3.0V	3.6V

For the specification about the other LEDs, please contact with sales department

» Product selection

TP 6141

FUNCTION		LED COLOR	
Non-LED		1	Red
-	Standard type	2	Yellow
M	SMT type	3	Green
X	Holder	4	Blue
LED		5	White
L	Standard type	6	Pure Green
ML	SMT type	8	Amber
XL	Holder	9	Blue Green
		10	Pink
		011	Purple
		12	Red/Yellow
		13	Red/Green
		14	Red/Blue
		23	Yellow/Green
		48	Blue/Amber
		52	White/Yellow
		58	White/Amber
		-	Non-LED

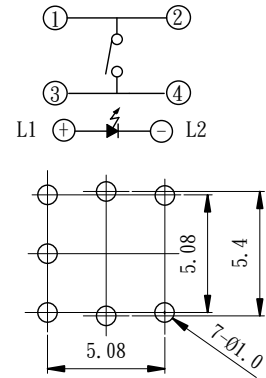
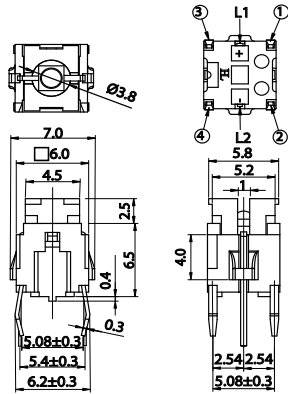
» Operating characteristics

Unit: mm

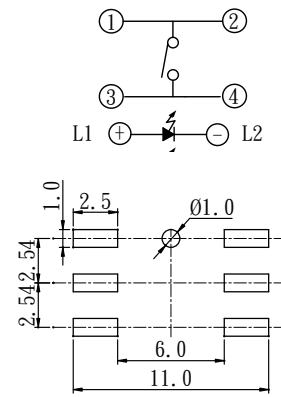
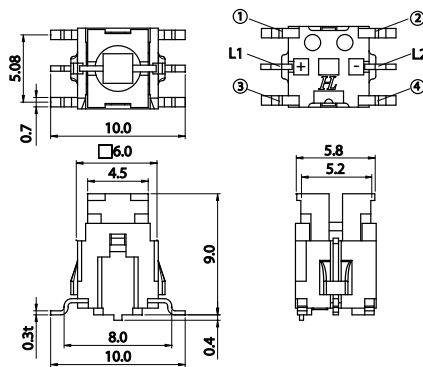
Dimensions

P.C.B Layout

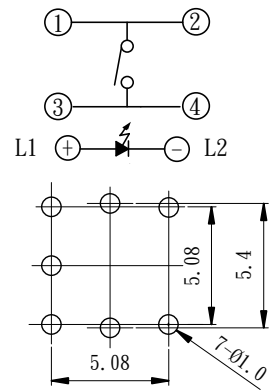
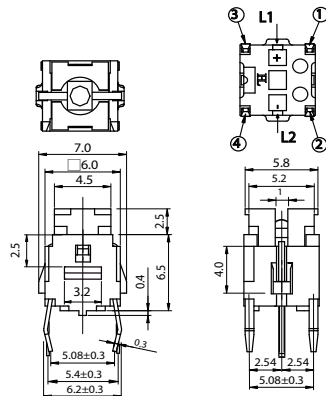
**TP6141
TP6141L**



**TP6141M
TP6141ML**



**TP6143
TP6143L**



**TP6143X
TP6143XL**

