

» **Features**

- Sharp "click" feeling with positive reliability feedback.
- Several LED colors options.



» **Applications**

- Operating switches in all types of electronic equipment such as audio apparatus, office equipment, communications apparatus, TV sets, VCRs, etc.

» **Specifications**

|                       |                                 |
|-----------------------|---------------------------------|
| Rating                | 50mA 12VDC                      |
| Insulation Resistance | 100MΩ Min (at 500 VDC)          |
| Dielectric Strength   | AC 250V (50/60 Hz for 1 minute) |
| Contact Resistance    | 100mΩ Max. (Initial)            |
| Electrically Life     | 300,000 Cycles Min              |
| Ambient Temperature   | -20°C~ +70°C                    |
| Operating Force       | 160 ± 50gf                      |
| Travel                | 0.25 ± 0.1 mm                   |

» **LED Specifications**

| Color  | VR    | IF   | Recommended Operating Current | VF   |      |
|--------|-------|------|-------------------------------|------|------|
|        |       |      |                               | Nor  | Max  |
| Red    | DC 5V | 20mA | 20mA                          | 1.7V | 2.4V |
| Green  | DC 5V | 20mA | 20mA                          | 1.9V | 2.4V |
| Yellow | DC 5V | 20mA | 20mA                          | 1.9V | 2.4V |
| Blue   | DC 5V | 20mA | 20mA                          | 3.0V | 3.6V |
| White  | DC 5V | 20mA | 20mA                          | 3.0V | 3.6V |

For the specification about the other LEDs, please contact with sales department

» **Product selection**

**TP 614**

|                     |                       |                  |
|---------------------|-----------------------|------------------|
| [ ]                 | -                     | [ ]              |
| <b>LED FUNCTION</b> |                       | <b>LED COLOR</b> |
| -                   | Non LED Standard type | 1  Red           |
| L                   | LED Standard type     | 2  Yellow        |
|                     |                       | 3  Green         |
|                     |                       | 4  Blue          |
|                     |                       | 5  White         |
|                     |                       | 6  Pure Green    |
|                     |                       | 8  Amber         |
|                     |                       | 9  Blue Green    |
|                     |                       | 10  Pink         |
|                     |                       | 011  Purple      |
|                     |                       | 12  Red/Yellow   |
|                     |                       | 13  Red/Green    |
|                     |                       | 14  Red/Blue     |
|                     |                       | 23  Yellow/Green |
|                     |                       | 48  Blue/Amber   |
|                     |                       | 52  White/Yellow |
|                     |                       | 58  White/Amber  |
| -                   | Non-LED               |                  |

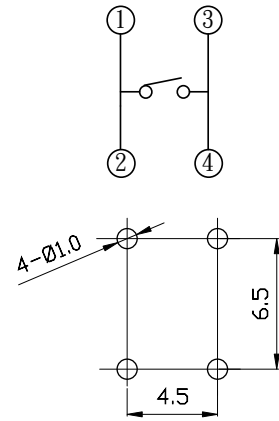
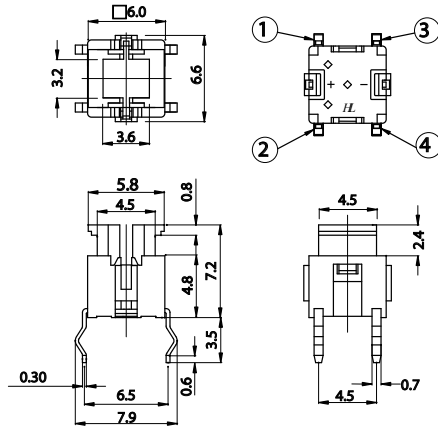
» Operating characteristics

Unit: mm

Dimensions

P.C.B Layout

## TP614



## TP614L

