

» **Features**

- Precise design terminal type adequate for DIP IC pitch size (multiple of 2.54mm).
- Epoxy sealing treatment, free of flux entry.
- Several LED colors options.
- Side-actuated with right angle terminal.



» **Applications**

- Operating switches in all types of electronic equipment such as audioapparatus, office equipment, communications apparatus, TV sets, VCRs, etc.

» **Specifications**

Rating	0.1A 30VDC
Insulation Resistance	100MΩ Min (at 500 VDC)
Dielectric Strength	AC 500V (50/60 Hz for 1 minute)
Contact Resistance	50mΩ Max. (Initial)
Electrically Life	10,000 Cycles Min
Ambient Temperature	-10°C~ +80°C
Operating Force	150 ± 100gf (Momentary)
	250 ± 100gf (Alternate)
	200 ± 100gf (Momentary With Click)

» **LED Specifications**

Color	VR	IF	Recommended Operating Current	VF	
				Nor	Max
Red	DC 5V	20mA	20mA	1.7V	2.4V
Green	DC 5V	20mA	20mA	1.9V	2.4V
Yellow	DC 5V	20mA	20mA	1.9V	2.4V
Blue	DC 5V	20mA	20mA	3.0V	3.6V
White	DC 5V	20mA	20mA	3.0V	3.6V

For the specification about the other LEDs, please contact with sales department

» **Product selection**

TP 613



-

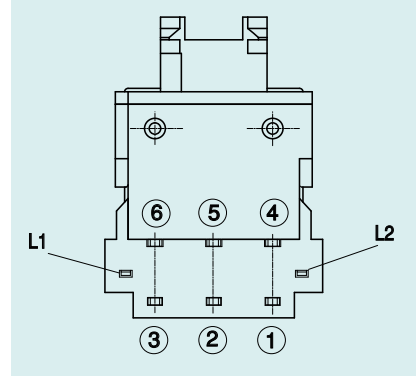


FUNCTION	
ARF	Non- LED Alternate
BRF	Non - LED Momentary with click
ARFL	LED Alternate
BRFL	LED Momentary with click

LED COLOR		
1		Red
2		Yellow
3		Green
4		Blue
5		White
6		Pure Green
8		Amber
9		Blue Green
10		Pink
011		Purple
12		Red/Yellow
13		Red/Green
14		Red/Blue
23		Yellow/Green
48		Blue/Amber
52		White/Yellow
58		White/Amber
-		Non-LED

» Circuit

Type	Switch Action	
TP613A RF	Normal ON	Push to lock ON
Connecting Terminal	1 - 2 4 - 5	2 - 3 5 - 6
TP613B RF	Normal ON	Push (ON)
Connecting Terminal	1 - 2 4 - 5	2 - 3 5 - 6
LED Circuit		



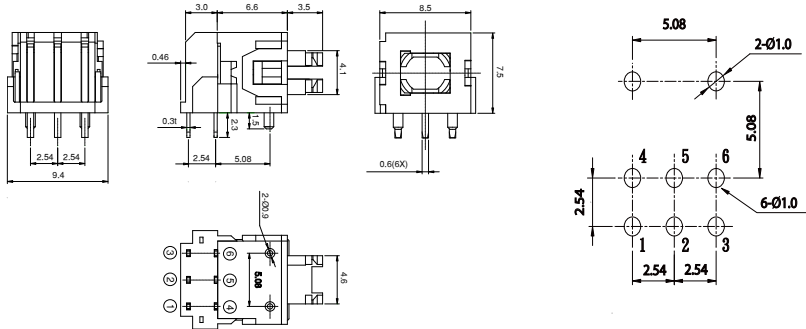
» Operating characteristics

Unit: mm

Dimensions

P.C.B Layout

TP613 □ RF



TP613 □ RFL

