

» Features

- Carry with non-LED/one LED/two LED options.
- Several cap colors options.
- Customized LED colors are available.



» Applications

- Dual -in-line package circuits.
- Test equipment.
- Professional Audio gear.

» Specifications

Rating	12mA 24VDC
Insulation Resistance	100MΩ Min (at 500 VDC)
Dielectric Strength	AC 250V (50/60 Hz for 1 minute)
Contact Resistance	50mΩ Max. (Initial)
Electrically Life	1,000,000 Cycles Min
Ambient Temperature	-10°C~ + 60°C
Operating Force	170 ± 100gf (Momentary)
Total Travel	2.5mm ± 0.5mm

» LED Specifications

Color	VR	IF	Recommended Operating Current	VF	
				Nor	Max
Red	DC 5V	20mA	20mA	2.0V	2.6V
Green	DC 5V	20mA	20mA	2.1V	2.6V
Yellow	DC 5V	20mA	20mA	2.2V	2.6V
Blue	DC 5V	20mA	20mA	3.5V	3.8V
White	DC 5V	20mA	20mA	3.0V	3.6V

For the specification about the other LEDs, please contact with sales department

» Product selection

R



FUNCTION	
0	No LED
1L	One - LED
2L	Two-LED

-



CAP COLOR	
1	Red
2	Yellow
3	Green
4	White
5	Black
T	Transparent
6	Orange
7	Blue



LED COLOR	
1	Red
2	Yellow
3	Green
4	Blue
12	Red/Yellow
13	Red/Green
23	Yellow/Green
-	Non-LED

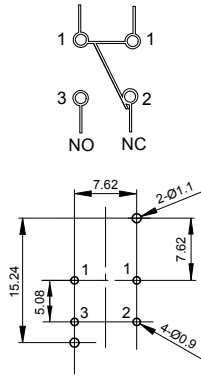
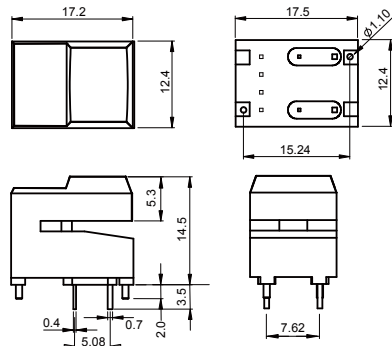
» Operating characteristics

Unit: mm

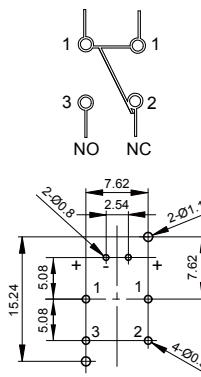
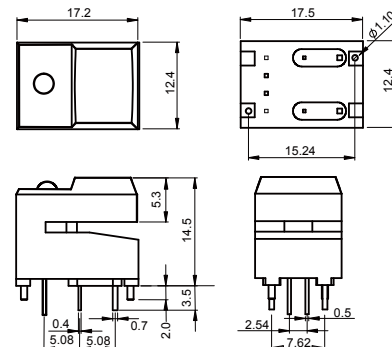
Dimensions

P.C.B Layout

R0



R1L



R2L

