

» Features

- Snap-in type, can be mounted directly on P.C.B board.
- Several LED colors options.
- Adequate for DIP & SMT.
- Several LED colors or bi-color or RGB color options.
- Customized cap and legends are available.

» Applications

- Operating switches in all types of electronic equipment such as audio apparatus, office equipment, communications apparatus, TV sets, VCRs, etc.



» Specifications

Rating	50mA 12VDC
Insulation Resistance	100MΩ Min (at 500 VDC)
Dielectric Strength	AC 250V (50/60 Hz for 1 minute)
Contact Resistance	100mΩ Max. (Initial)
Electrically Life	300,000 Cycles Min
Ambient Temperature	-25°C~ +70°C
Operating Force	160 ± 50gf

» LED Specifications

Color	VR	IF	Recommended Operating Current	VF	
				Nor	Max
Red	DC 5V	20mA	20mA	1.7V	2.4V
Green	DC 5V	20mA	20mA	1.9V	2.4V
Yellow	DC 5V	20mA	20mA	1.9V	2.4V
Blue	DC 5V	20mA	20mA	3.0V	3.6V
White	DC 5V	20mA	20mA	3.0V	3.6V

For the specification about the other LEDs, please contact with sales department

» Product selection

PB 615

[]	[]	-	[]	-	[]	[]
BUTTON TYPE	FUNCTION		LED COLOR		CAP COLOR	LASER ETCHING
1	Non-LED		1		1	01
2	- Standard Type (2P)		2		2	02
6	H Standard Type (4P)		3		3	03
	M SMT Type ML (2P)		4		4	04
	HM SMT Type HML (4P)		5		5	05
	R Right Angle		6		6	06
	RS Right Angle (+Fix)		7		7	07
	LED		8		8	08
	L Standard Type (2P)		9		9	09
	HL Standard Type (4P)		10		A	10
	ML SMT Type (2P)		011			
	HML SMT Type (4P)		12			
	RL Right Angle		13			
	RSL Right Angle (+Fix)		14			
			23			
			48			
			52			
			58			
			- Non-LED			

Please inquire about the details with our sales representative.

PB 615 SERIES TACT SWITCHES

ILLUMINATED

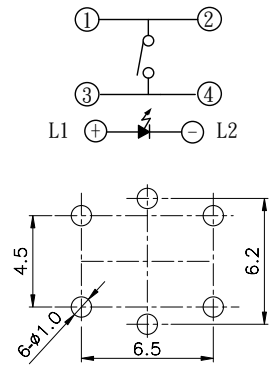
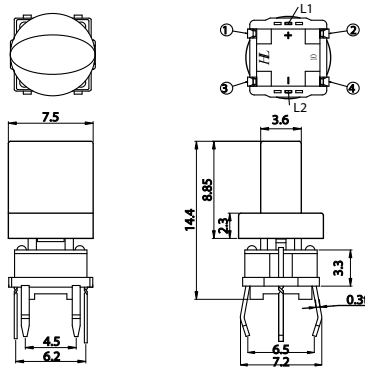
» Operating characteristics

Unit: mm

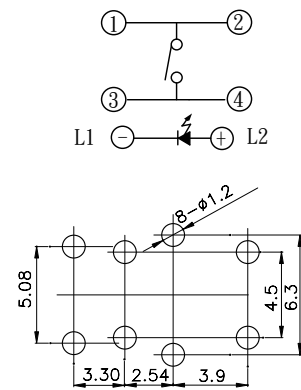
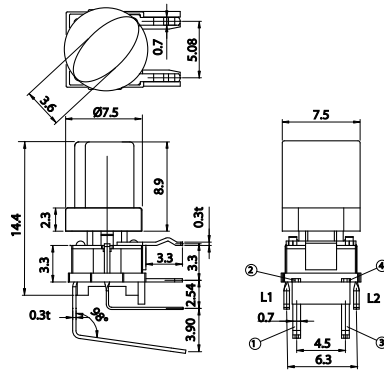
Dimensions

P.C.B Layout

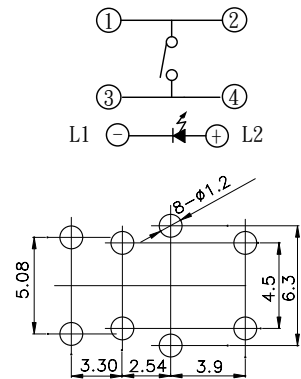
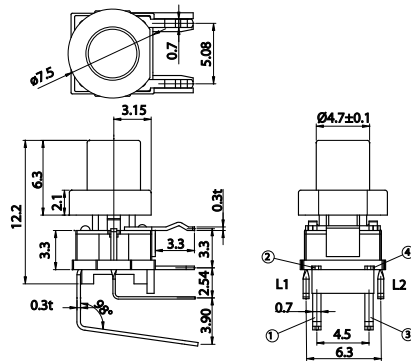
PB6151L-□-104



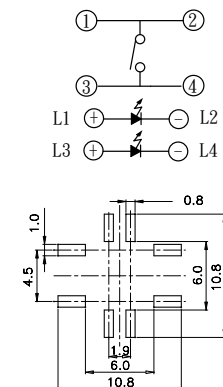
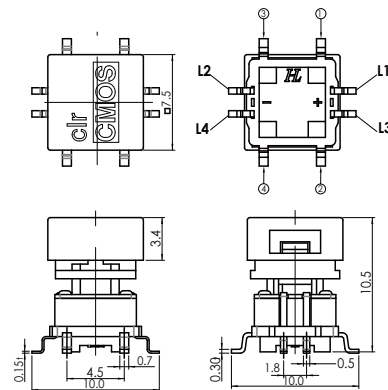
PB6152RSL



PB6156RSL-□-102



PB61531HML-□



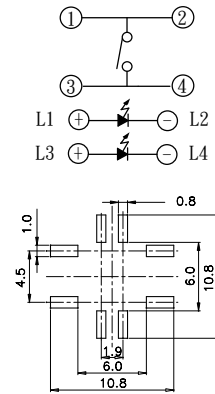
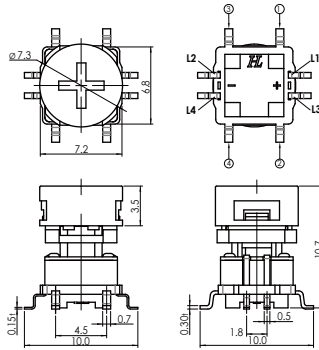
» Operating characteristics

Unit: mm

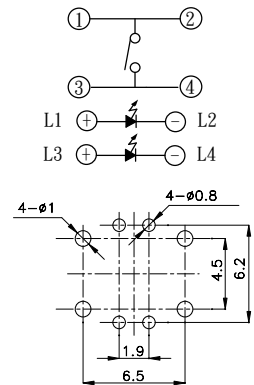
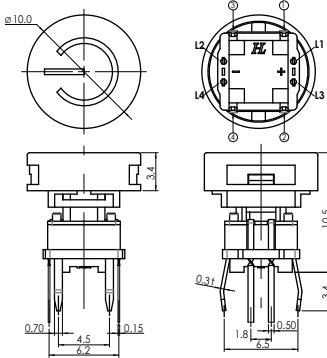
Dimensions

P.C.B Layout

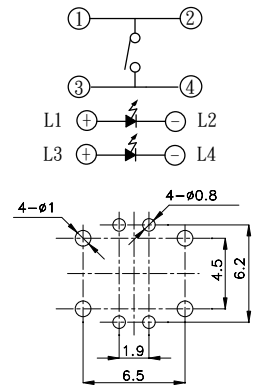
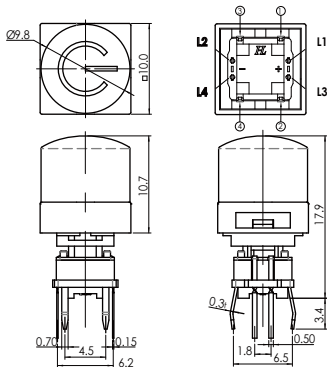
PB61532HML- □



PB61534HL- □



PB615302HL- □



For PB615 □ □ H □ L Series only

TERMINAL	
M	SMT Type
□	Standard Type

BUTTON TYPE		BUTTON TYPE	
31		301	
32		302	
33		303	
34		304	
35		305	
36		307	
Strong terminal only		Strong terminal only	