

» Features

- Epoxy sealing treatment, free of flux entry.
- Several LED colors options.
- Side-actuated with right angle terminal.
- Several cap legends options.



» Applications

- Operating switches in all types of electronic equipment such as audio apparatus, office equipment, communications apparatus, TV sets, VCRs, etc.

» Specifications

Rating	0.1A 30VDC
Insulation Resistance	100MΩ Min (at 500 VDC)
Dielectric Strength	AC 500V (50/60 Hz for 1 minute)
Contact Resistance	50mΩ Max. (Initial)
Electrically Life	10,000 Cycles Min
Ambient Temperature	-10°C~ +80°C
Operating Force	150 ± 100gf (Momentary)
	250 ± 100gf (Alternate)
	200 ± 100gf (Momentary With Click)

» LED Specifications

Color	VR	IF	Recommended Operating Current	VF	
				Nor	Max
Red	DC 5V	20mA	20mA	1.7V	2.4V
Green	DC 5V	20mA	20mA	1.9V	2.4V
Yellow	DC 5V	20mA	20mA	1.9V	2.4V
Blue	DC 5V	20mA	20mA	3.0V	3.6V
White	DC 5V	20mA	20mA	3.0V	3.6V

For the specification about the other LEDs, please contact with sales department

» Product selection

PB 613

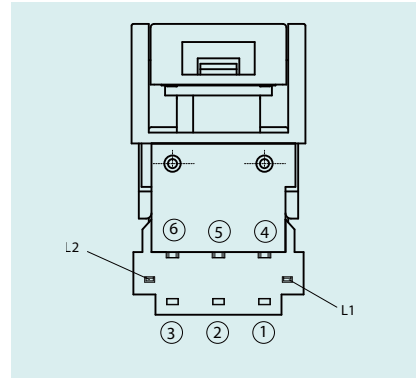
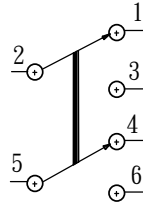
RF - - -

BUTTON TYPE		FUNCTION		LED		SUPPORT PIN		LASER ETCHING	
1		A	Alternate	-	Non-LED	-	Without	01	
2		B	Momentary with click	L	LED	WS		02	
3						WS2		03	OK
4								04	
5								05	
6								06	
01								07	
02								08	
03								09	
04								10	
05								Please inquire about the details with our sales representative.	
07									

FRAME		LED COLOR		CAP COLOR	
I		1	Red	1	Misty Silver
G		2	Yellow	2	Bright Silver
I2		3	Green	3	Gold
J		4	Blue	4	White
		5	White	5	Bright Black
		6	Pure Green	6	Red
		8	Amber	7	Misty Black
		9	Blue Green	8	Sky blue
		10	Pink	9	Gunmetal black
		011	Purple	A	Orange
		12	Red/Yellow		
		13	Red/Green		
		14	Red/Blue		
		23	Yellow/Green		
		48	Blue/Amber		
		52	White/Yellow		
		58	White/Amber		
		-	Non-LED		

» **Circuit**

Type	Switch Action	
PB613 ARF	Normal ON	Push to lock ON
Connecting Terminal	1 - 2 4 - 5	2 - 3 5 - 6
PB613 BRF	Normal ON	Push (ON)
Connecting Terminal	1 - 2 4 - 5	2 - 3 5 - 6
LED Circuit		



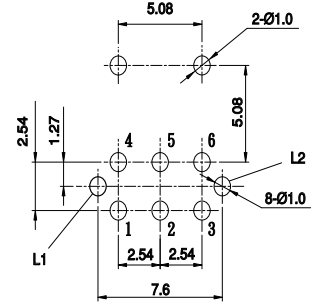
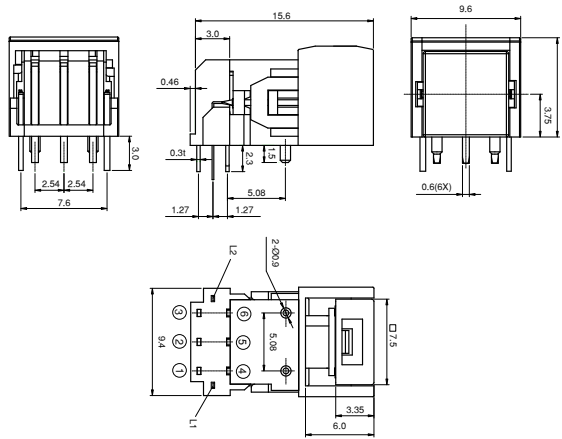
» **Operating characteristics**

Unit: mm

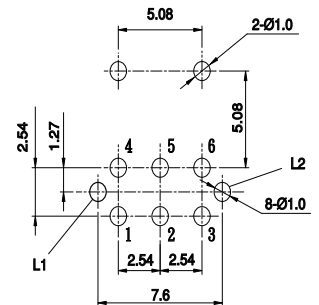
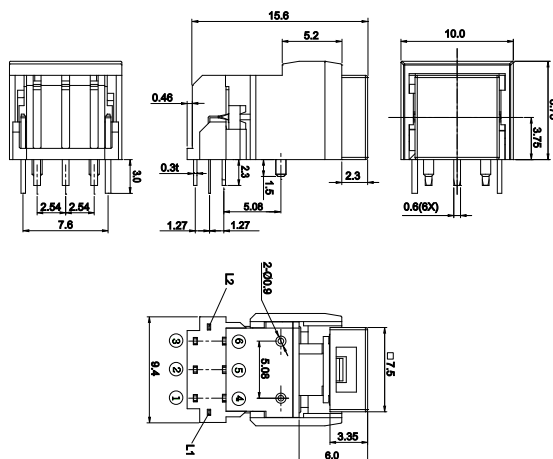
Dimensions

P.C.B Layout

PB6131 **RFIL-3-177**



PB6131 **RFGL-3-177**



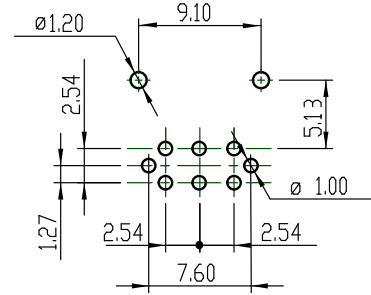
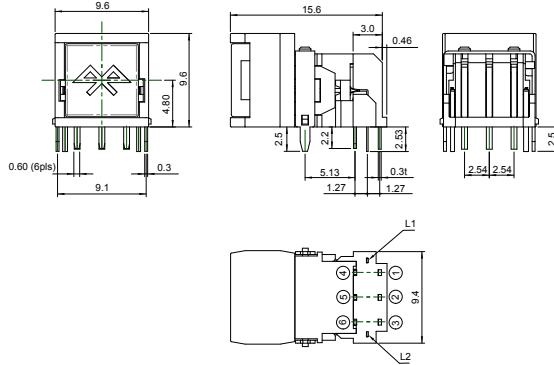
» Operating characteristics

Unit: mm

Dimensions

P.C.B Layout

PB6131 □ RFJL-4-WS-5195



PB6131 □ RFI L-4-WS2-5238

