

» **Features**

- Precise design terminal type adequate for DIP IC pitch size (multiple of 2.54mm).
- Epoxy sealing treatment, free of flux entry.
- Several LED colors options.
- Several cap legends options.
- Customized cap and legend are available.



» **Applications**

- Operating switches in all types of electronic equipment such as audio apparatus, office equipment, communications apparatus, TV ets, VCRs, etc.

» **Specifications**

Rating	0.1A 30VDC
Insulation Resistance	100MΩ Min (at 500 VDC)
Dielectric Strength	AC 500V (50/60 Hz for 1 minute)
Contact Resistance	50mΩ Max. (Initial)
Electrically Life	10,000 Cycles Min
Ambient Temperature	-10°C~ +80°C
Operating Force	150 ± 100gf (Momentary)
	250 ± 100gf (Alternate)
	200 ± 100gf (Momentary With Click)

» **LED Specifications**

Color	VR	IF	Recommended Operating Current	VF	
				Nor	Max
Red	DC 5V	20mA	20mA	1.7V	2.4V
Green	DC 5V	20mA	20mA	1.9V	2.4V
Yellow	DC 5V	20mA	20mA	1.9V	2.4V
Blue	DC 5V	20mA	20mA	3.0V	3.6V
White	DC 5V	20mA	20mA	3.0V	3.6V

For the specification about the other LEDs, please contact with sales department

» **Product selection**

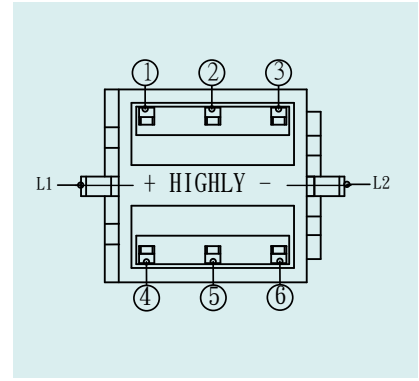
PB 613

BUTTON TYPE	FUNCTION	LED	FRAME	LED COLOR	CAP COLOR	LASER ETCHING
1F	A Alternate	- Non-LED	- Without	1	1 Misty Silver	01
2F	B Momentary	L LED	F With frame	2	2 Bright Silver	02
3F	C Momentary with click			3	3 Gold	03
4F				4	4 White	04
5F				5	5 Bright Black	05
6F				6	6 Red	06
01				8	7 Misty Black	07
02				9	8 Sky blue	08
03				10	9 Gunmetal black	09
04				011	A Orange	10
05				12		
07				13		
				14		
				23		
				48		
				52		
				58		
				- Non-LED		

Please inquire about the details with our sales representative.

» Circuit

Type	Switch Action		
PB613A	Normal ON	Push to lock ON	
Connecting Terminal	1 - 2 4 - 5	2 - 3 5 - 6	
PB613B	Normal ON	Push (ON)	
Connecting Terminal	1 - 2 4 - 5	2 - 3 5 - 6	
LED Circuit			



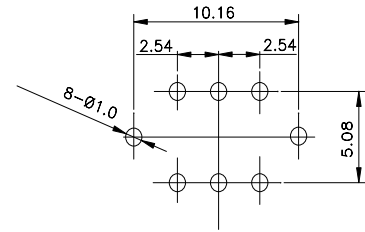
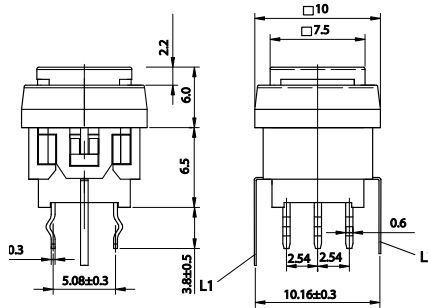
» Operating characteristics

Unit: mm

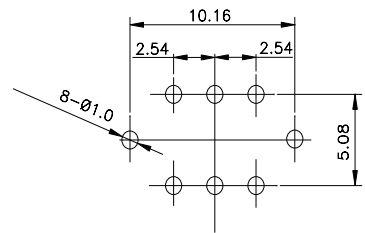
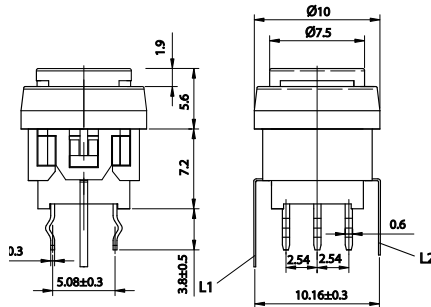
Dimensions

P.C.B Layout

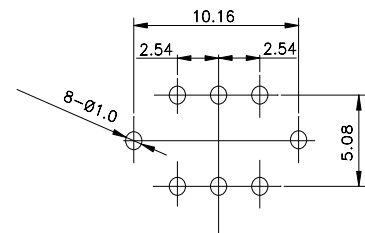
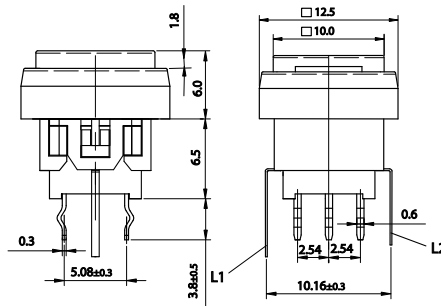
PB6131F □ L



PB6132F □ L



PB6133F □ L



PB 613 SERIES PUSH SWITCHES

ILLUMINATED

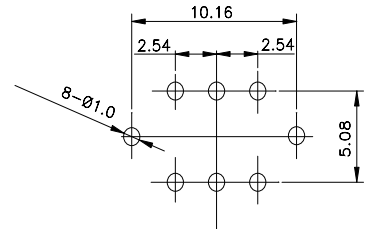
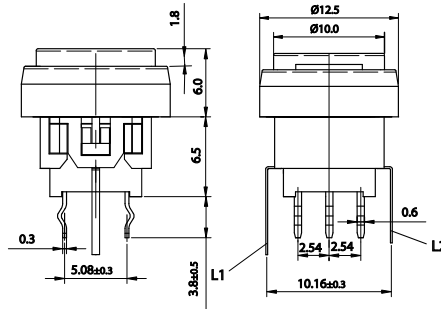
» Operating characteristics

Unit: mm

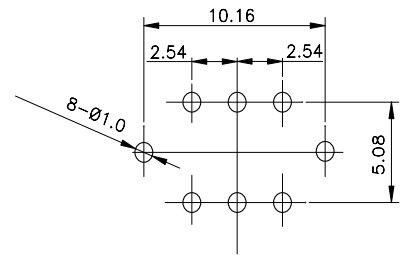
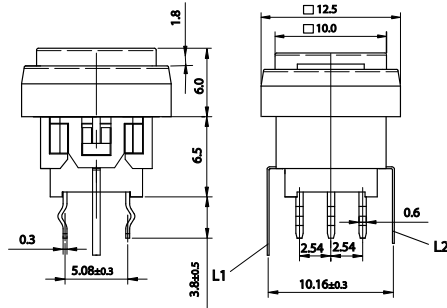
Dimensions

P.C.B Layout

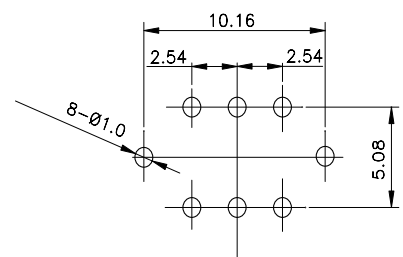
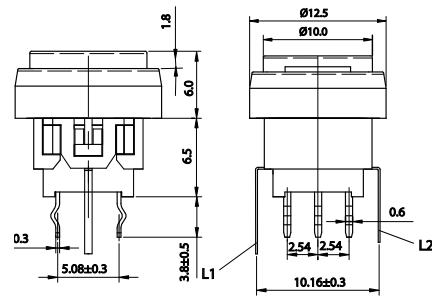
PB6134F □ L



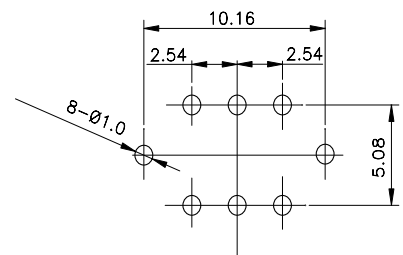
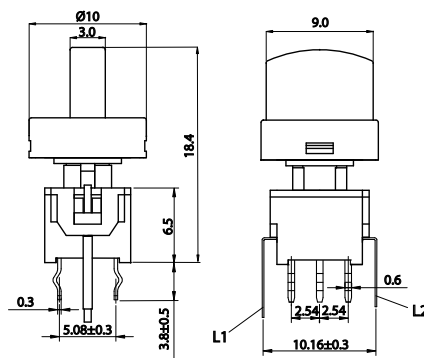
PB6135F □ L



PB6136F □ L



PB61301 □ L



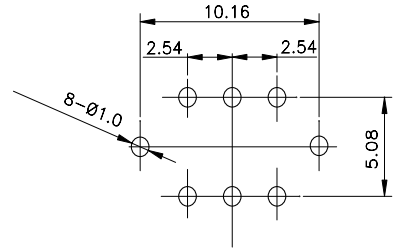
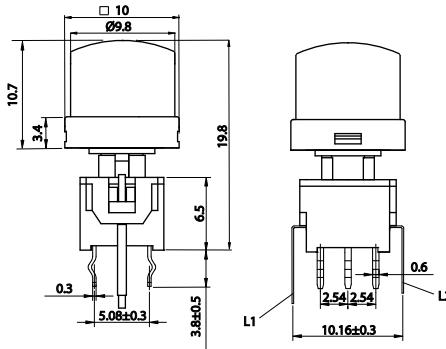
» Operating characteristics

Unit: mm

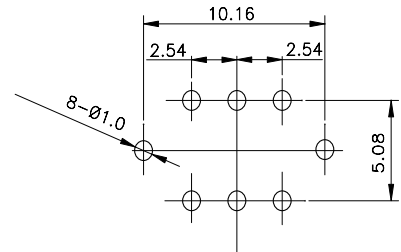
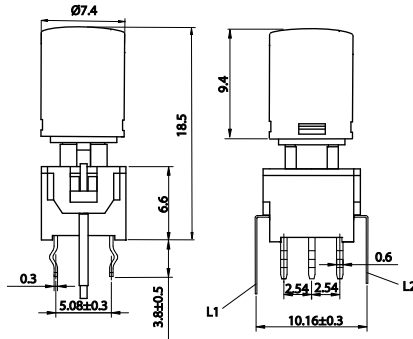
Dimensions

P.C.B Layout

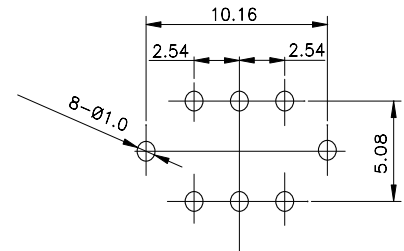
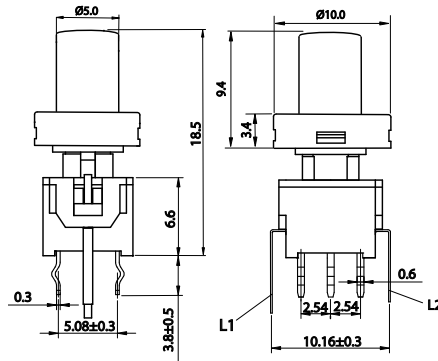
PB61302 □ L



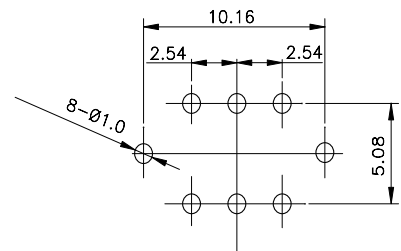
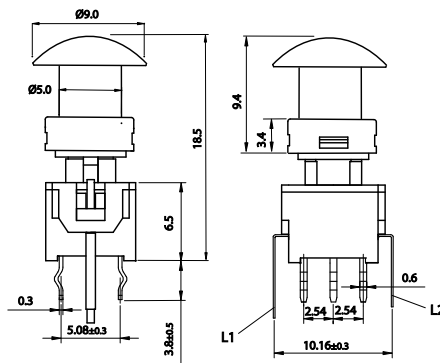
PB61303 □ L



PB61304 □ L



PB61305 □ L



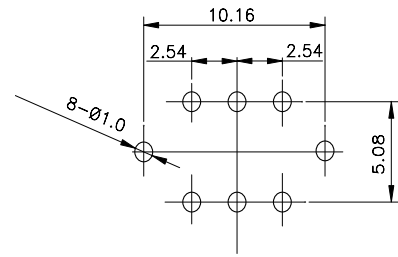
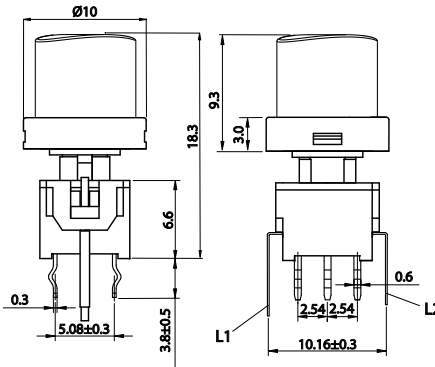
» Operating characteristics

Unit: mm

Dimensions

P.C.B Layout

PB61307 □ L



PB6131 □ F2L

