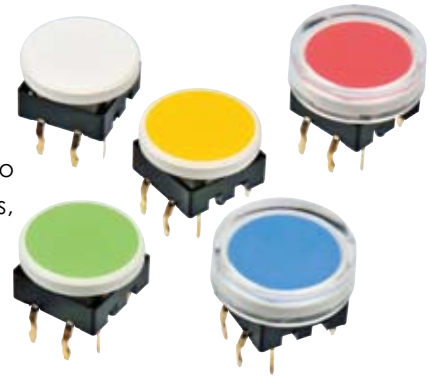


## » Features

- SPST, Tactile feeling, illuminated  $\varnothing$  15.0mm TACT

## » Applications

- Operating switches in all types of electronic equipment such as audio apparatus, office equipment, communications apparatus, TV sets, VCRs, etc.



## » Specifications

Rating	50mA 12VDC
Insulation Resistance	100M $\Omega$ Min (at 500 VDC)
Dielectric Strength	AC 250V (50/60 Hz for 1 minute)
Contact Resistance	100m $\Omega$ Max. (Initial)
Electrically Life	100,000 Cycles Min
Ambient Temperature	-10°C~ +60°C
Operating Force	300 $\pm$ 100gf


## » LED Specifications

Color	VR	IF	Recommended Operating Current	VF	
				Nor	Max
Red	DC 5V	20mA	20mA	1.7V	2.4V
Green	DC 5V	20mA	20mA	1.9V	2.4V
Yellow	DC 5V	20mA	20mA	1.9V	2.4V
Blue	DC 5V	20mA	20mA	3.0V	3.6V
White	DC 5V	20mA	20mA	3.0V	3.6V



For the specification about the other LEDs, please contact with sales department

## » Product selection

M2

BUTTON TYPE	
01	

CAP COLOR	
1	Red
2	Yellow
3	Green
5	White
T	Transpahent
6	Orange
7	Blue

LED COLOR		
1		Red
2		Yellow
3		Green
4		Blue
5		White
6		Pure Green
13		Red/Green
14		Red/Blue
-		Non-LED

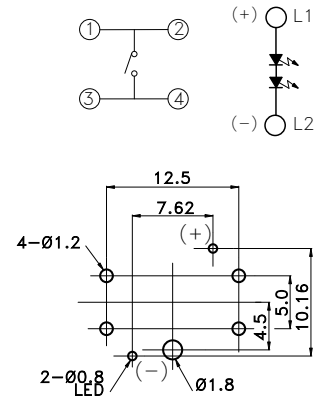
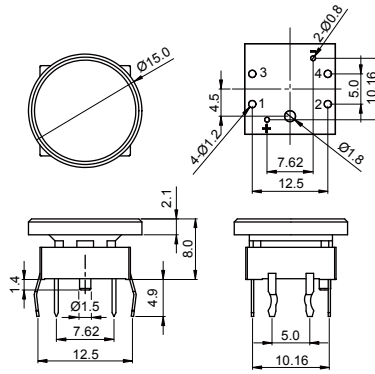
» **Operating characteristics**

Unit: mm

**Dimensions**

**P.C.B Layout**

**M2**



**M201**

