

LIMIT SWITCH

Features

- High precision and metal die-casting body.
- Easy to wire connection construction
- High mechanical strength
- Dust-proof construction



Specifications

| Item | Standard |
|----------------------------|--------------------------------|
| Rating | 5A 250VAC / 125 VAC |
| Contact Resistance | 25mΩ max. (initial) |
| Insulation Resistance | 100MΩ min. (at 500VDC) |
| Dielectric Strength | 1,000VAC, 50/60Hz for 1 minute |
| Service Life Mechanically: | 1,000,000 operations min. |
| Service Life Electrically | 100,000 operations min. |

Product Selection

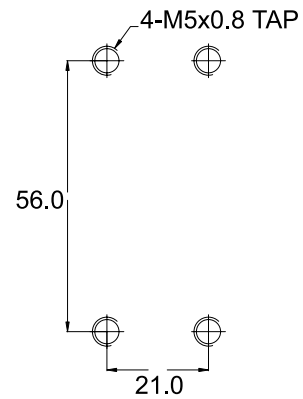
AH□

1

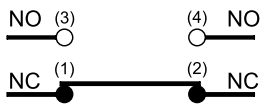
1. HEAD AND ACTUATOR

- 8111: Push plunger type
- 8112: Roller plunger type
- 8122: Roller plunger type angle 90°
- 8104: Roller arm type
- 8107: Rod lever type
- 8108: Adjustable roller arm type (standard roller)
- 8166: Thermoplastic end flexible rod type
- 8169: Cat whisker type
- 9101: Wobble opening

Mounting Hole



Contact Configuration



HIGHLY

C5

Design, specifications are subject to change without notice.

LIMIT SWITCH

Operating Characteristics

Unit: mm

Item

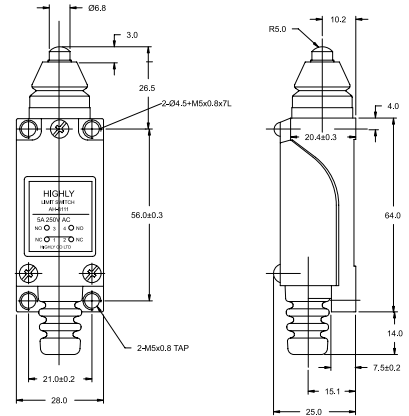
Operating Characteristics

Dimensions

AH8111



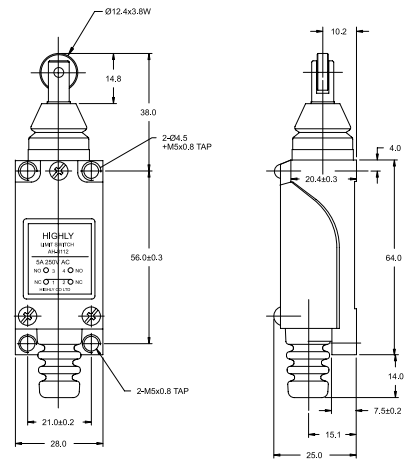
| | |
|---------|--------|
| OF max. | 900g |
| RF min. | 150g |
| PT max. | 1.5 mm |
| MD max. | 0.7 mm |
| OT min. | 4 mm |
| TT min. | 5.5 mm |



AH8112



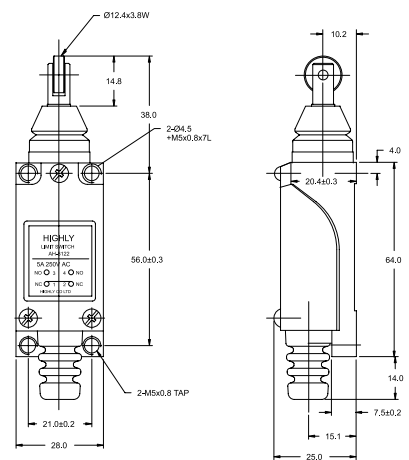
| | |
|---------|--------|
| OF max. | 900g |
| RF min. | 150g |
| PT max. | 1.5 mm |
| MD max. | 0.7 mm |
| OT min. | 4 mm |
| TT min. | 5.5 mm |



AH8122



| | |
|---------|--------|
| OF max. | 900g |
| RF min. | 150g |
| PT max. | 1.5 mm |
| MD max. | 0.7 mm |
| OT min. | 4 mm |
| TT min. | 5.5 mm |



LIMIT SWITCH

Operating Characteristics

Unit: mm

Item

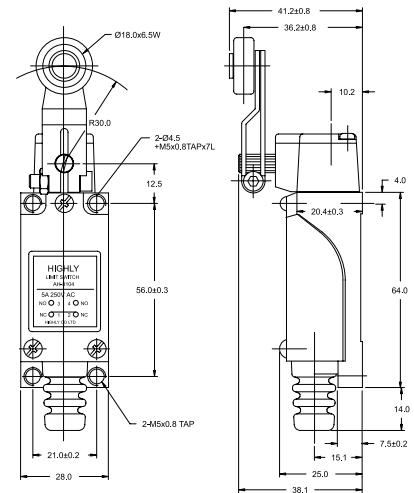
Operating Characteristics

Dimensions

AH8104



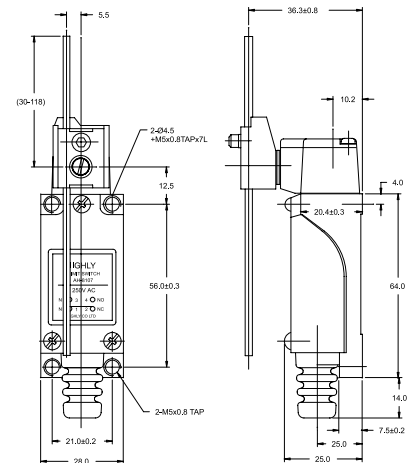
| | |
|---------|------|
| OF max. | 600g |
| RF min. | 50g |
| PT max. | 20° |
| MD max. | 10° |
| OT min. | 75° |
| TT min. | 95° |



AH8107



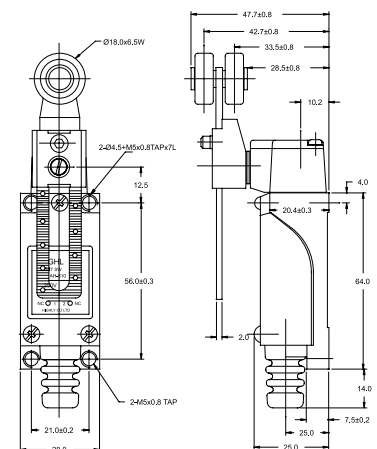
| | |
|---------|----------|
| OF | 800-230g |
| RF | 50-12g |
| PT max. | 20° |
| MD max. | 10° |
| OT min. | 75° |
| TT min. | 95° |



AH8108



| | |
|---------|----------|
| OF | 800-342g |
| RF | 50-12g |
| PT max. | 20° |
| MD max. | 10° |
| OT min. | 75° |
| TT min. | 95° |



HIGHLY

C7

Design, specifications are subject to change without notice.

LIMIT SWITCH

Operating Characteristics

Unit: mm

Item

Operating Characteristics

Dimensions

AH8166



OF max. 900g

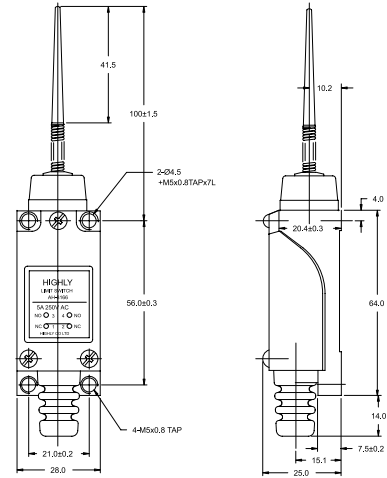
RF min. --

PT max. 30 mm

MD max. --

OT min. 20 mm

TT min. 50 mm



AH8169



OF max. 900g

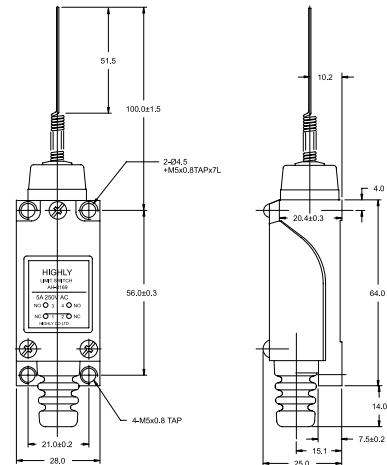
RF min. --

PT max. 30 mm

MD max. --

OT min. 20 mm

TT min. 50 mm



AH9101



OF max. 900g

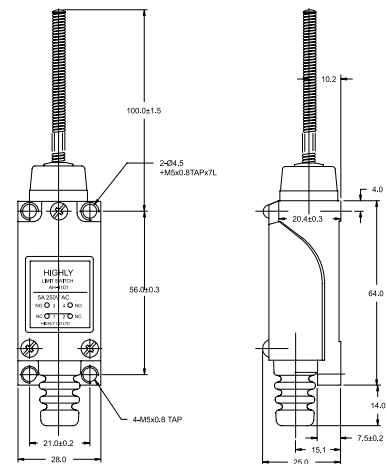
RF min. --

PT max. 30 mm

MD max. --

OT min. 20 mm

TT min. 50 mm



HIGHLY

C8

Design, specifications are subject to change without notice.